



KODAK X-OMAT 1000A Processor
Automated film processing for small spaces
and tight budgets

Kodak

The Kodak X-Omat 1000A processor is your solution to **aut** when funds and space are at a premium.

Easy to use, maintain, and service, the compact and reliable 1000A is the most affordable X-Omat processor ever sold.

This processor's price, size, and dependability make it ideal for the clinic, private practice, or other facility seeking low-volume, low-cost automated processing for film radiographs.

Meet your needs

Process any standard size radiographic film up to 35 x 43 cm with light-tight feed tray. (The 1000A is not optimized for mammography.) Receive tray is conveniently located atop the processor.

Get excellent quality

Process films with the excellent image quality you expect from Kodak. The 1000A uses the same rollers and other transport components used in other Kodak X-Omat processors.

Keep the pace

Process a 35 x 43 cm radiograph in just 175 seconds; process up to 50 films an hour with consistent quality.

Stay in control

Maintain chemical balance and optimal results with automatic replenishment that activates developer and fixer pumps after each film is processed. Selectable flooded replenishment and a chemical tank cover help keep solutions fresh even during long periods of inactivity.

Easy cleaning

Racks and tanks are readily accessible—and color coded—for ease of cleaning and maintenance.

Light-tight feeding

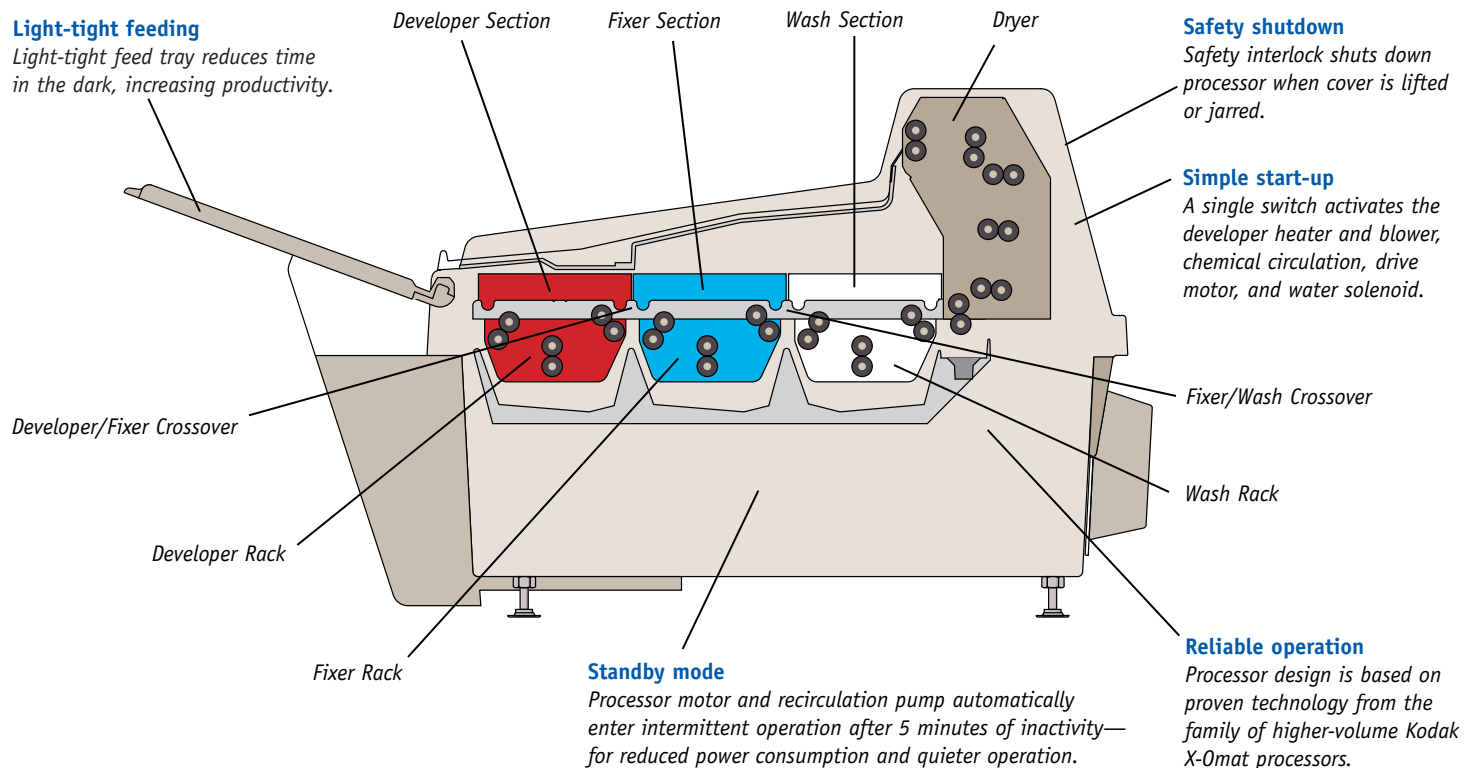
Light-tight feed tray reduces time in the dark, increasing productivity.

Safety shutdown

Safety interlock shuts down processor when cover is lifted or jarred.

Simple start-up

A single switch activates the developer heater and blower, chemical circulation, drive motor, and water solenoid.



Automated radiographic film processing

Save energy

Reduce electric consumption when processor is not in use. Automatic standby mode minimizes power consumption while maintaining solution temperature for optimal performance when processor is reactivated by film insertion.

Reduce maintenance

Cut maintenance time and costs, and enhance productivity. Simple, robust processor design maximizes reliability—and minimizes downtime, maintenance, and service.

Protect staff and circuitry

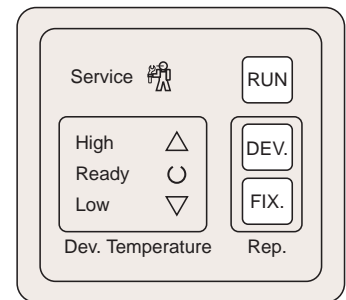
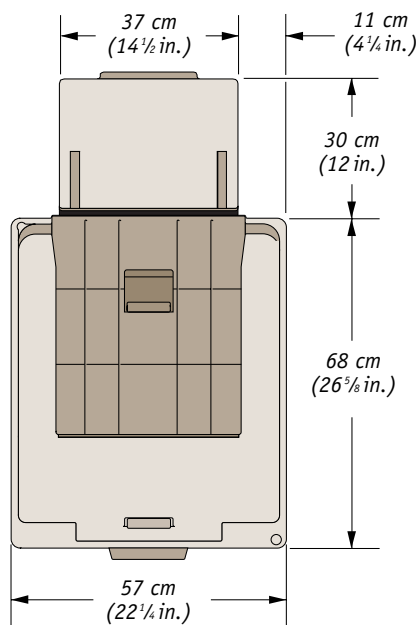
Guard against injury with an interlock that automatically stops the drive motor and rollers when the processor top is opened. Built-in safeguards also protect against short circuits and electrical malfunctions.

Suit your space

Place the 1000A in almost any darkroom thanks to a footprint of just 56 x 68 cm (23 x 27 in.).

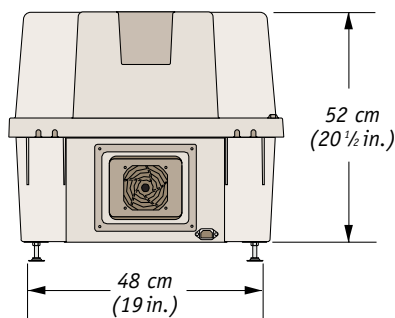
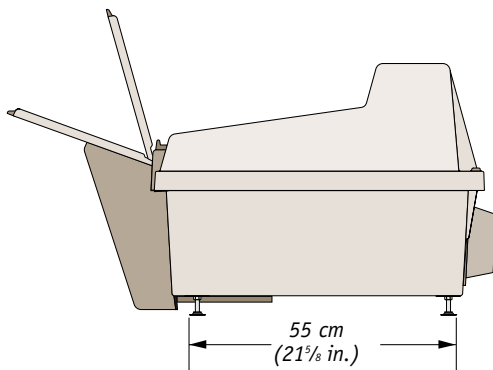
Simplify installation

Avoid special site demands thanks to standard water, drain, and power requirements.



Work smart

Monitor processor readiness at a glance to maintain workflow. A ready light confirms that the processor is ready for use. A warning light immediately signals errors.



Specifications

KODAK X-OMAT 1000A Processor

Processing cycle (35 x 43 cm film)

Leading edge in/out: 120 sec

Dimensions

Length: 68 cm/27 in.

Length with light-tight feed tray:

101 cm/40 in.

Width: 58 cm/23 in.

Height: 47 cm/20 in.

Height with feed tray open: 24 in.

Weight

Without solutions: 53 kg/116 lbs

With solutions: 65 kg/142 lbs

Electrical

110/120 V, 50/60 Hz, 12 amps

220/230/240 V, 50/60 Hz, 6.5 amps

UL listed; CUL, TUV, and CE certified

Water

Ambient: 4–30°C/40–85°F

Flow rate: 1 L/min

Drain

Maximum: 10 L/min

Wash drain and overflow tubing provided

Exhaust

None needed in room with 10 air changes/hour.

Optional kit is available to provide negative static pressure for dryer exhaust.

Noise level

Approximately 54 dB (A)

Processing solution volumes

Developer tank: 3.8 L

Fixer tank: 3.8 L

Water tank: 3.8 L

Chemical supply tubing provided



Protect your investment

Trust Kodak for fast, responsive service and support for your Kodak Health Imaging equipment and systems. Our well-trained professionals are experts in imaging and focused on keeping health imaging customers up and running! Plus, we use only genuine Kodak parts to make sure that your equipment remains compliant with the same regulatory agency requirements the equipment met during manufacturing.

www.kodak.com/go/health

Health Imaging Division
EASTMAN KODAK COMPANY
Rochester, New York 14650
1-877-865-6325, ext. 537

KODAK CANADA INC.
Toronto, Ontario M6M 1V3
CANADA

Outside the U.S. or Canada, please
contact your local Kodak company.

KODAK'S HEALTH IMAGING DIVISION
A BETTER VIEW OF LIFE.

